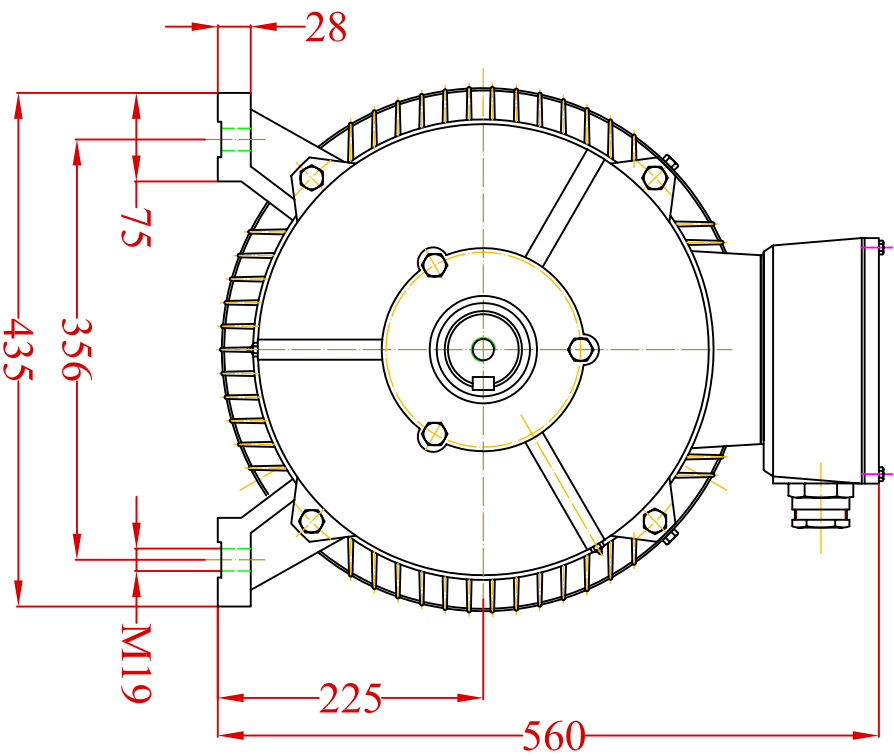
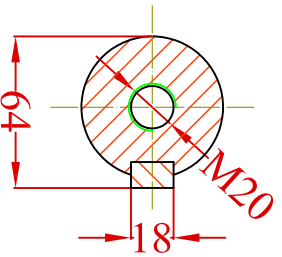



A-A



CHANGE	DATE	NAME	Designed by	Date	Signature	Weight	 <b>VALIADIS</b> HELLENIC MOTORS
			Checked by				
			Examined by				Designing Number
<b>MOTOR TYPE K225 S</b> <b>MOUNTING B3</b> <b>WITH FORCED COOLING KIT</b>							Replaced from
							Replace the