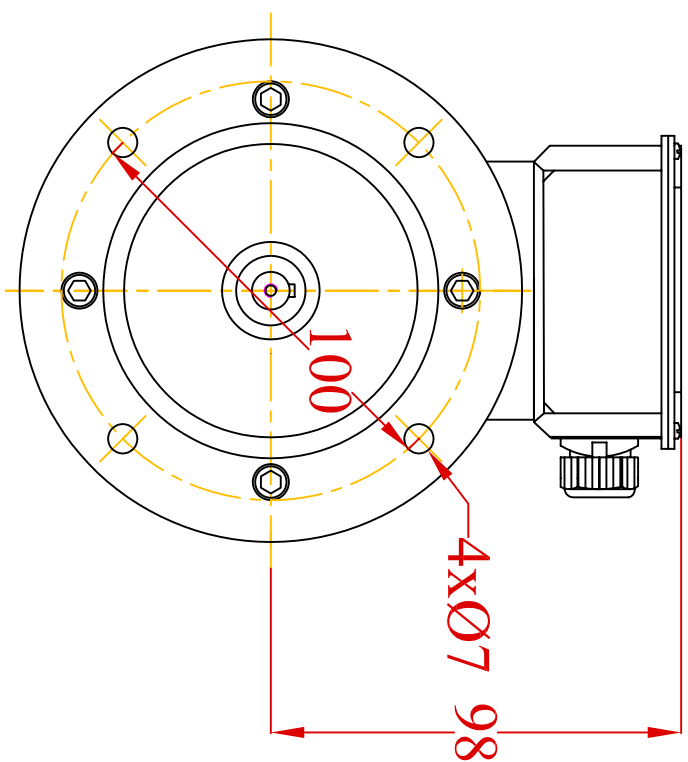
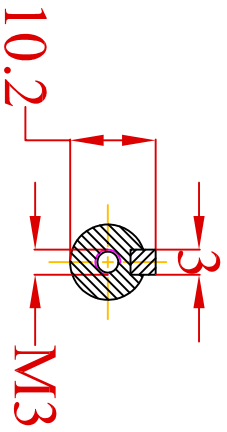



A-A



CHANGE	DATE	NAME	Designed by	Date	Signature	Weight	 <b>VALLADIS</b> <b>HELLENIC MOTORS</b>
			Checked by				
			Examine by				Replaced from
			SCALE				Replace the
			<b>MOTOR TYPE AK56</b>				
			<b>MOUNTING B5</b>				