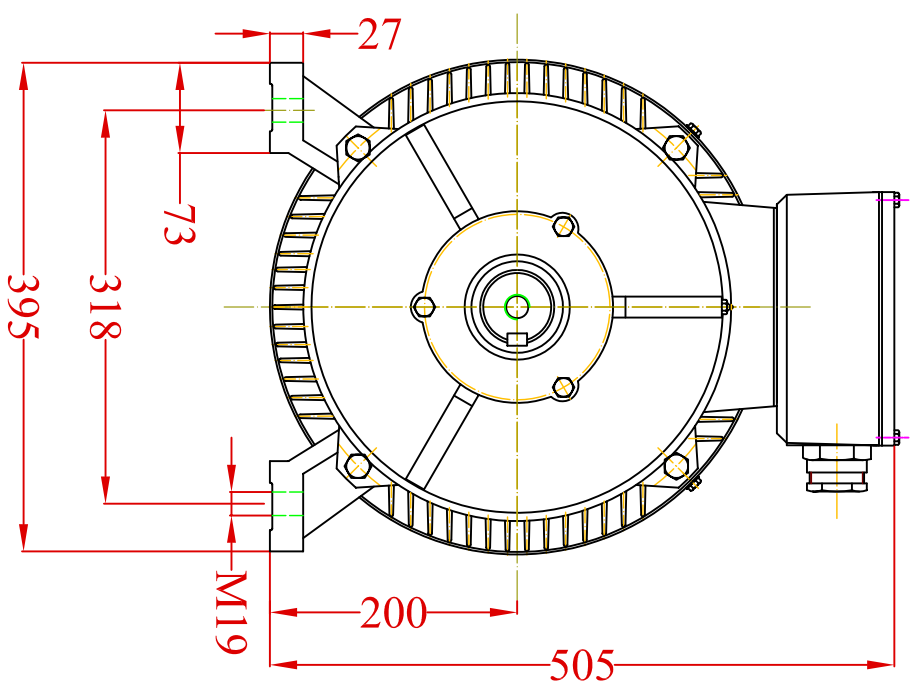
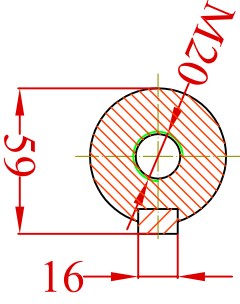



A-A



CHANGE	DATE	NAME	Date	Signature	Weight	 VALIADIS HELLENIC MOTORS
						Replaced from
						Replace the

SCALE
 Designed by
 Checked by
 Examined by

MOTOR TYPE K200L
MOUNTING B3
WITH BRAKE T200D