

SD700 KOMPAKT

VARIABLE SPEED DRIVES



SD700 KOMPAKT

When space saving is a must, the SD700 KOMPAKT series with a power density up to 800kW/m³ is your suitable solution. The drive keeps the advanced family features reducing up to 2.5 times the size. This product is suitable for professional project engineers to get freedom and competitiveness to their own electrical projects. Inspired by the contactors wiring concept, it has a top input power and a bottom output motor cable.

The drive unit and the input chokes are delivered together with a IP00 degree of protection. The customer following Power Electronics' recommendation will easily install the components in a dedicated cabinet or technical room.

SD700 KOMPAKT
KEEPS THE ADVANCED
FAMILY FEATURES
REDUCING UP TO 2.5
TIMES THE SIZE

- IP00
- 50°C OPERATION WITHOUT POWER DERATING
- (FFA) FULL FRONTAL ACCESS
- EXTERNAL HARMONIC FILTER AND BUILT-IN RFI FILTER
- BUILT-IN DV/DT FILTER 500V/μS-800V/μS (UNSCREENED CABLE UP TO 150M)
- MODULARITY
- CONFORMALLY COATED ELECTRONICS WITH MILITAR AND AEROSPACE TECHNOLOGY

SD700 KOMPAKT SERIES

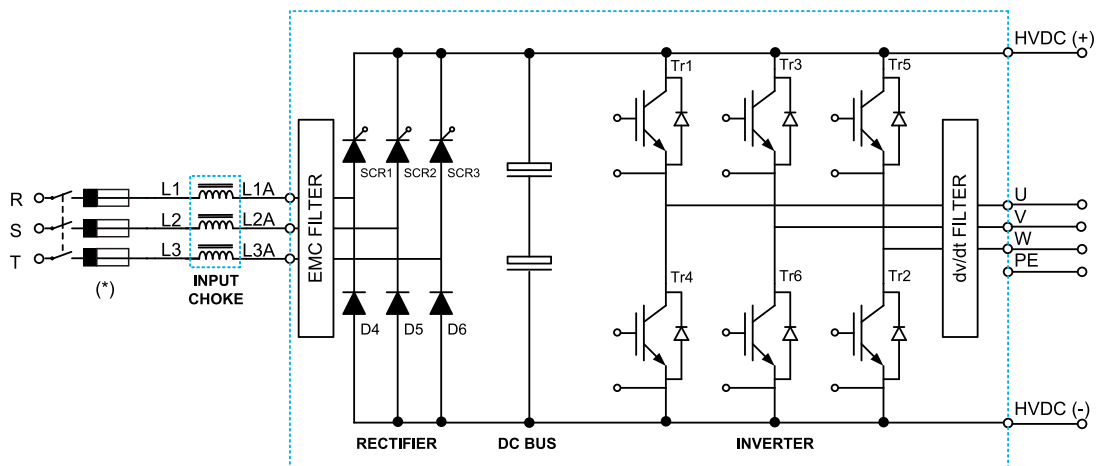
Standard features

- Power range from 63kW to 800kW^[1]. When there are many motors, this is a perfect space saving solution.
- Built-in dV/dt filter 500V/μs-800V/μs allows its installation with up to 150m unipolar cable following Power Electronics recommendations.
- 50°C operation without derating.
- Wide voltage range (230Vac, 380Vac-500Vac, 525Vac and 690Vac). Suitable for weak electrical grids and places with variable voltage range operations. The drive keeps running!
- Optional IP20 improvement through its dedicated enclosures suitable for technical room installation.
- Reduce the THD level without modifying the space needs; SD700 KOMPAKT is available with 6 and 12 pulses.
- External input chokes (3% impedance), EMC input filter as standard to keep family performance features.
- External braking units. When the drive absorbs the regenerated energy during braking cycles, B150 accessory will dissipate it.

^[1] Higher power drives, consult Power Electronics".

SD700 KOMPAKT | Functional Diagram

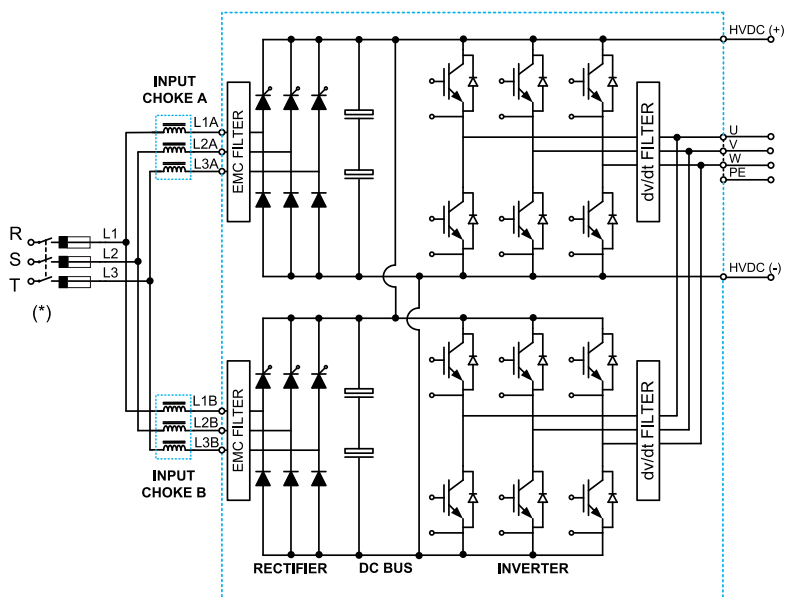
FRAMES 1 & 2



(*) : Protections and fuses not included

SD7KDTP0001BI

FRAMES 3 & 4



(*) : Protections and fuses not included

SD7KDTP0007AI

SD700 KOMPAKT | Technical Characteristics

SD700 KOMPAKT SERIES

INPUT	Power range	63kW - 800 kW ^[1]
	Voltage power	230Vac, 380-500Vac, 525Vac, 690Vac , 3 phases (±10%)
	Multipulse	6, 12
	Input frequency	50Hz/60Hz ± 6%
	Input rectifier technology	Thyristor-Diode
	Displacement power factor (DPF = cos Φ)	≥ 0.98
	Power factor (PF= I _r /I _{rms} ·cos Φ)	≥ 0.91
	Momentary power loss	> 2sec (depending on the load inertia)
	EMC input filter	Second environment (Industrial): (C3 Standard) First environment (Domestic): C2 (Optional). C1 consult with Power Electronics
	Harmonics filter	Choke coils 3% impedance
	Current THDi (%)	≤ 40%
Regenerative	NO	
OUTPUT	Output frequency ^[2]	0... 200Hz
	Overload capacity	Constant torque/heavy duty: 150% during 60 sec at 50°C Variable torque/normal duty: 120% during 60 sec at 40°C.
	Efficiency (at rated current and rated voltage)	≥98%
	Control method	V/Hz VECTOR CONTROL
		Open Loop: PMC: speed (OLSP)/torque control (OLTQ), AVC: speed (OLSP) / torque control (OLTQ) Close Loop (Encoder): PMC: speed (CLSP)/torque control (CLTQ), AVC: speed(CLSP)/torque control (CLTQ)
	Switching frequency	4 to 8kHz - PEWave
	Output dv/dt filter	500 to 800V/μs
	Output cable length ^[3]	USC 150m SC 75m
ENVIRONMENTAL CONDITIONS	Dynamic brake	External B150 Dynamic Brake
	Operation ambient temperature	Minimum: -20°C Maximum: +50°C
	Storage temperature	Minimum: -40°C Maximum: +70°C
	Altitude	1000m
	Power altitude derating ^[1]	>1000m, 1% P _N (kW) per 100m; 3000m maximum
	Ambient humidity	<95%, non-condensing
	Degree of protection	IPOQ, IP20
PROTECTIONS	Vibration	Deflection: 0.075mm (10Hz-57Hz), Acceleration: 9.8m/s ² (57Hz-150Hz)
	Heating resistors	Optional
	Motor protections	Rotor locked, Motor overload (thermal model), Output current limit, Phase current imbalance, Phase voltage imbalance, Motor over-temperature (PTC signal), Speed limit, Torque limit.
INPUTS/OUTPUTS	Drive protections	IGBT's overload, Input phase loss, Low input voltage, High input voltage, DC Bus voltage limit, Low DC Bus voltage, High input frequency, Low input frequency, IGBT temperature, Heat-sink over-temperature, Power supply fault, Drive thermal model, Ground fault, Software and Hardware fault, Analogue input signal loss (speed reference loss), Safe stop / Emergency stop.
	Digital inputs	6 programmable active high (24Vdc), Isolated power supply 1 PTC input
	Digital outputs	3 Programmable changeover relays (250Vac, 8A or 30Vdc, 8A)
	Analogue input	2 Programmable differential inputs: 0 - 20mA, 4 - 20mA, 0 - 10Vdc and ±10Vdc. (Optically isolated)
	Analogue outputs	2 Isolated programmable outputs: 0 - 20mA, 4 - 20mA, 0 - 10Vdc and ±10Vdc
	Encoder inputs (optional)	Two differential encoders input. Voltages inputs from 5 to 24Vdc
	User power supply	+24Vdc user power supply (Max 180mA) regulated and short-circuit protected +10Vdc user power supply (Max 2 potentiometers R= 1 kΩ) regulated and short-circuit protected
	I/O Extension board (optional)	4 Digital Inputs: Programmable inputs and active high (24Vdc). Optically isolated. 1 Analogue Input: Programmable and differential input. 5 Digital Outputs: Programmable multi-function relays.
	External power supply (optional)	1 Analogue Output: Programmable outputs in voltage / current. 24 V External Power Supply, Fault Relay integrated

NOTES [1] Other configuration, consult Power Electronics.

[2] For operation frequencies higher than 100Hz consult Power Electronics.

[3] SC: Shielded cable, USC: Unshielded Cable. Follow Power Electronics installation recommendations. For greater cable lengths consult Power Electronics.

SD700 KOMPAKT | Technical Characteristics

SD700 KOMPAKT SERIES

COMMUNICATION	Standard hardware	USB port RS232 port RS485 port
	Standard protocol	Modbus-RTU
	Optional protocol	Profibus-DP DeviceNet Ethernet (Modbus TCP) Ethernet IP CAN Open N2 Metasys Gateway
CONTROL PANEL	Type	Removable
	Length	3 meters and 5 meters (optional)
	Connection	RJ45
	Visualization leds	LED ON: Control board is energized LED RUN: Motor receiving power supply LED FAULT: Flashing displays that a fault has occurred
	Alphanumeric display	4 lines x 16 characters Keypad with 6 keys to control and configure the drive, start and stop/reset Independent memory
	Display information	Average current and 3-phase motor current Average voltage and 3-phase motor voltage Average input voltage and 3-phase input voltage 3-phase input and output frequency DC Bus Voltage
		Drive Status Speed, Torque, Power, Power factor of motor Register of total and partial drive running time with reset function.(hours) Register of total and partial drive energy consumption with reset function (kWh) Relay status Digital inputs / PTC status Output comparator status Analogue inputs and sensor values Analogue output value Motor overload and equipment status Drive and rectifier temperature Fault history (last 6 faults)
	Others	Real time clock Perpetual calendar
REGULATIONS	Certifications	CE, cTick, UL ^[4] , cUL ^[4]
	Electromagnetic compatibility	EMC Directive (2004/108/CE) IEC/EN 61800-3
	Design and construction	LVD Directive (2006/95/CE) IEC/EN 61800-2 General requirements IEC/EN 61800-5-1 Safety IEC/EN 60146-1-1 Semiconductor converters IEC60068-2-6 - Vibration
	Functional Safety	IEC/EN 61800-5-2(STO) TÜV Rheinland Certified

NOTES [4] On certification process.

SD700 KOMPAKT

Standard Ratings

POWER RANGE AT 230VAC

6 PULSES							
FRAME	CODE	Operation Temperature 50°C HEAVY DUTY			Operation Temperature 40°C NORMAL DUTY		
		I(A) Rated	Motor Power (kW) at 230VAC	150% Overload (A)	I(A) Rated	Motor Power (kW) at 230VAC	120% Overload (A)
1	SD7K0210 2X Y	210	63	315	263	75	315
	SD7K0250 2X Y	250	75	375	313	86	375
	SD7K0275 2X Y	275	86	413	344	100	413
2	SD7K0330 2X Y	330	100	495	413	110	495
	SD7K0370 2X Y	370	110	555	463	140	555
	SD7K0460 2X Y	460	140	690	575	185	690
3	SD7K0580 2X Y	580	185	870	725	200	870
	SD7K0650 2X Y	650	200	975	813	220	975
	SD7K0720 2X Y	720	220	1080	900	250	1080

POWER RANGE AT 400VAC

6 PULSES							
FRAME	CODE	Operation Temperature 50°C HEAVY DUTY			Operation Temperature 40°C NORMAL DUTY		
		I(A) Rated	Motor Power (kW) at 400VAC	150% Overload (A)	I(A) Rated	Motor Power (kW) at 400VAC	120% Overload (A)
1	SD7K0210 5X Y	210	110	315	263	132	315
	SD7K0250 5X Y	250	132	375	313	160	375
	SD7K0275 5X Y	275	150	413	344	200	413
2	SD7K0330 5X Y	330	160	495	413	220	495
	SD7K0370 5X Y	370	200	555	463	250	555
	SD7K0460 5X Y	460	250	690	575	315	690
3	SD7K0580 5X Y	580	315	870	725	400	870
	SD7K0650 5X Y	650	355	975	813	450	975
	SD7K0720 5X Y	720	400	1080	900	500	1080
4	SD7K0840 5X Y	840	450	1260	1050	560	1260
	SD7K0925 5X Y	925	500	1388	1156	630	1388
	SD7K0990 5X Y	990	560	1485	1238	710	1485

12 PULSES							
FRAME	CODE	Operation Temperature 50°C HEAVY DUTY			Operation Temperature 40°C NORMAL DUTY		
		I(A) Rated	Motor Power (kW) at 400VAC	150% Overload (A)	I(A) Rated	Motor Power (kW) at 400VAC	120% Overload (A)
4	SD7K0840 5X 12 Y	840	450	1260	1050	560	1260
	SD7K0925 5X 12 Y	925	500	1388	1156	630	1388
	SD7K0990 5X 12 Y	990	560	1485	1238	710	1485

SD700 KOMPAKT

Standard Ratings

POWER RANGE AT 440VAC

6 PULSES									
FRAME	CODE	Operation Temperature 50°C HEAVY DUTY				Operation Temperature 40°C NORMAL DUTY			
		I(A) Rated	Motor Power (kW) at 440VAC		150% Overload (A)	I(A) Rated	Motor Power (kW) at 440VAC		120% Overload (A)
			kW	HP			kW	HP	
1	SD7K0210 5X Y	191	110	150	286,5	238,7	132	180	286,5
	SD7K0250 5X Y	227	132	180	340,5	283,7	160	240	340,5
	SD7K0275 5X Y	250	150	200	375	312,5	200	275	375
2	SD7K0330 5X Y	300	160	240	450	375	220	300	450
	SD7K0370 5X Y	336	200	275	504	420	250	340	504
	SD7K0460 5X Y	418	250	340	627	522,5	315	400	627
3	SD7K0580 5X Y	527	315	400	790,5	658,7	400	500	790,5
	SD7K0650 5X Y	591	355	450	886,5	738,7	450	600	886,5
	SD7K0720 5X Y	654,5	400	500	981,7	818,1	500	650	981,7
4	SD7K0840 5X Y	764	450	600	1146	955	560	750	1146
	SD7K0925 5X Y	841	500	650	1261,5	1051,2	630	850	1261,5
	SD7K0990 5X Y	900	560	750	1350	1125	710	900	1350

12 PULSES									
FRAME	CODE	Operation Temperature 50°C HEAVY DUTY				Operation Temperature 40°C NORMAL DUTY			
		I(A) Rated	Motor Power (kW) at 440VAC		150% Overload (A)	I(A) Rated	Motor Power (kW) at 440VAC		120% Overload (A)
			kW	HP			kW	HP	
4	SD7K0840 5X 12 Y	764	450	600	1146	955	560	750	1146
	SD7K0925 5X 12 Y	841	500	650	1261,5	1051,2	630	850	1261,5
	SD7K0990 5X 12 Y	900	560	750	1350	1125	710	900	1350

SD700 KOMPAKT

Standard Ratings

POWER RANGE AT 500VAC

6 PULSES							
FRAME	CODE	Operation Temperature 50°C HEAVY DUTY			Operation Temperature 40°C NORMAL DUTY		
		I(A) Rated	Motor Power (kW) at 500VAC	150% Overload (A)	I(A) Rated	Motor Power (kW) at 500VAC	120% Overload (A)
1	SD7K0210 5X Y	168	110	252	210	132	252
	SD7K0250 5X Y	200	132	300	250	150	300
	SD7K0275 5X Y	212	150	318	265	160	318
2	SD7K0330 5X Y	264	160	396	330	200	396
	SD7K0370 5X Y	296	200	444	370	250	444
	SD7K0460 5X Y	368	250	552	460	315	552
3	SD7K0580 5X Y	464	315	696	580	355	696
	SD7K0650 5X Y	520	355	780	650	400	780
	SD7K0720 5X Y	576	400	864	720	450	864
4	SD7K0840 5X Y	672	450	1008	840	500	1008
	SD7K0925 5X Y	740	500	1110	925	560	1110
	SD7K0990 5X Y	767	560	1151	959	630	1151

12 PULSES							
FRAME	CODE	Operation Temperature 50°C HEAVY DUTY			Operation Temperature 40°C NORMAL DUTY		
		I(A) Rated	Motor Power (kW) at 500VAC	150% Overload (A)	I(A) Rated	Motor Power (kW) at 500VAC	120% Overload (A)
4	SD7K0840 5X 12 Y	672	450	1008	840	500	1008
	SD7K0925 5X 12 Y	740	500	1110	925	560	1110
	SD7K0990 5X 12 Y	767	560	1151	959	630	1151

POWER RANGE AT 525VAC

6 PULSES							
FRAME	CODE	Operation Temperature 50°C HEAVY DUTY			Operation Temperature 40°C NORMAL DUTY		
		I(A) Rated	Motor Power (kW) at 525VAC	150% Overload (A)	I(A) Rated	Motor Power (kW) at 525VAC	120% Overload (A)
1	SD7K0180 7X Y	180	132	270	222	150	270
	SD7K0205 7X Y	205	150	308	254	185	308
2	SD7K0270 7X Y	270	200	405	334	250	405
	SD7K0295 7X Y	295	220	443	360	280	443
	SD7K0340 7X Y	340	250	510	417	315	510
3	SD7K0425 7X Y	425	315	638	526	400	638
	SD7K0470 7X Y	470	355	705	586	450	705
	SD7K0535 7X Y	535	400	803	666	500	803
4	SD7K0660 7X Y	660	500	990	824	600	990
	SD7K0750 7X Y	750	560	1125	936	700	1125

12 PULSES							
FRAME	CODE	Operation Temperature 50°C HEAVY DUTY			Operation Temperature 40°C NORMAL DUTY		
		I(A) Rated	Motor Power (kW) at 525VAC	150% Overload (A)	I(A) Rated	Motor Power (kW) at 525VAC	120% Overload (A)
4	SD7K0660 7X 12 Y	660	500	990	824	600	990
	SD7K0750 7X 12 Y	750	560	1125	936	700	1125

SD700 KOMPAKT

Standard Ratings

POWER RANGE AT 690VAC

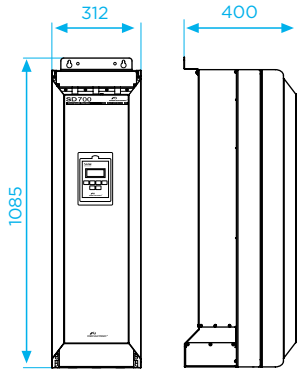
6 PULSES							
FRAME	CODE	Operation Temperature 50°C HEAVY DUTY			Operation Temperature 40°C NORMAL DUTY		
		I(A) Rated	Motor Power (kW) at 690VAC	150% Overload (A)	I(A) Rated	Motor Power (kW) at 690VAC	120% Overload (A)
1	SD7K0130 6X Y	130	110	195	163	132	195
	SD7K0150 6X Y	150	132	225	188	160	225
	SD7K0170 6X Y	170	160	255	213	200	255
2	SD7K0210 6X Y	210	200	315	263	250	315
	SD7K0260 6X Y	260	250	390	325	315	390
	SD7K0320 6X Y	320	315	480	400	400	480
3	SD7K0385 6X Y	385	355	578	481	450	578
	SD7K0460 6X Y	460	450	690	575	560	690
4	SD7K0550 6X Y	550	500	825	688	630	825
	SD7K0660 6X Y	660	630	990	825	800	990

12 PULSES							
FRAME	CODE	Operation Temperature 50°C HEAVY DUTY			Operation Temperature 40°C NORMAL DUTY		
		I(A) Rated	Motor Power (kW) at 690VAC	150% Overload (A)	I(A) Rated	Motor Power (kW) at 690VAC	120% Overload (A)
4	SD7K0550 6X 12 Y	550	500	825	688	630	825
	SD7K0660 6X 12 Y	660	630	990	825	800	990

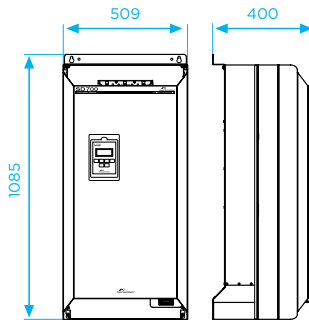
SERIE KOMPAKT

Dimensions

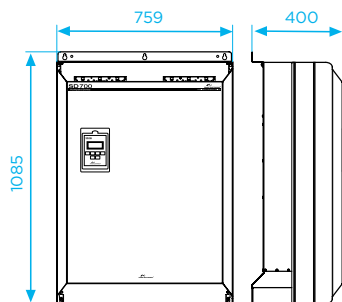
DIMENSIONS IPOO



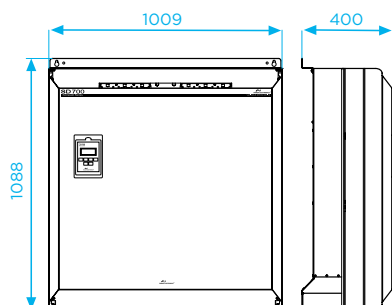
FRAME 1 - IPOO				
INPUT VOLTAGE				WEIGHT (kg)
230Vca	380-500Vca	525Vca	690Vca	
SD7K0210 20 Y	SD7K0210 50 Y	SD7K0180 70 Y	SD7K0130 60 Y	78.2
SD7K0250 20 Y	SD7K0250 50 Y	SD7K0205 70 Y	SD7K0150 60 Y	
SD7K0275 20 Y	SD7K0275 50 Y		SD7K0170 60 Y	



FRAME 2 - IPOO				
INPUT VOLTAGE				WEIGHT (kg)
230Vca	380-500Vca	525Vca	690Vca	
SD7K0330 20 Y	SD7K0330 50 Y	SD7K0270 70 Y	SD7K0210 60 Y	148
SD7K0370 20 Y	SD7K0370 50 Y	SD7K0295 70 Y	SD7K0260 60 Y	
SD7K0460 20 Y	SD7K0460 50 Y	SD7K0340 70 Y	SD7K0320 60 Y	



FRAME 3 - IPOO				
INPUT VOLTAGE				WEIGHT (kg)
230Vca	380-500Vca	525Vca	690Vca	
SD7K0580 20 Y	SD7K0580 50 Y	SD7K0425 70 Y	SD7K0385 60 Y	200
SD7K0650 20 Y	SD7K0650 50 Y	SD7K0470 70 Y	SD7K0460 60 Y	
SD7K0720 20 Y	SD7K0720 50 Y	SD7K0535 70 Y		

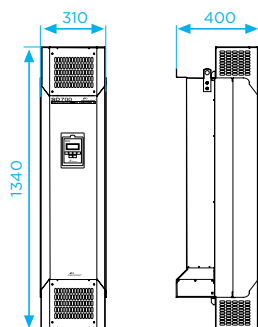


FRAME 4 - IPOO				
INPUT VOLTAGE				WEIGHT (kg)
230Vca	380-500Vca	525Vca	690Vca	
-	SD7K0840 50 Y	SD7K0660 70 Y	SD7K0550 60 Y	280
	SD7K0925 50 Y	SD7K0750 70 Y	SD7K0660 60 Y	
	SD7K0990 50 Y	SD7K0660 70 12 Y	SD7K0550 60 12 Y	
	SD7K0840 50 12 Y	SD7K0750 70 12 Y	SD7K0660 60 12 Y	
	SD7K0925 50 12 Y			
	SD7K0990 50 12 Y			

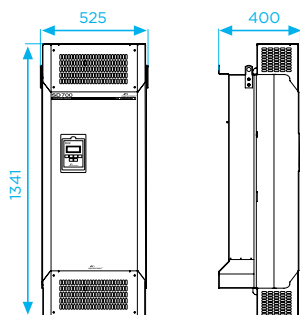
SERIE KOMPAKT

Dimensiones

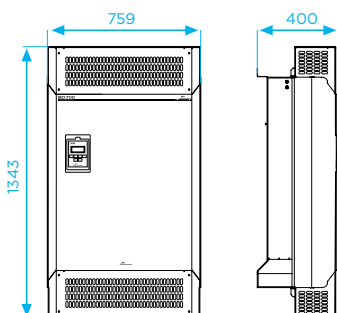
DIMENSIONS IP20



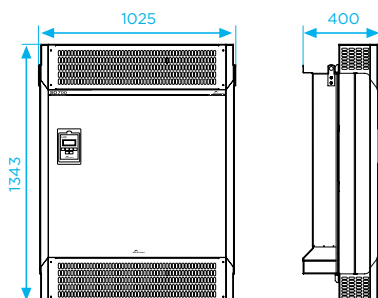
FRAME 1 - IP20				
INPUT VOLTAGE				WEIGHT (kg)
230Vca	380-500Vca	525Vca	690Vca	
SD7K0210 22 Y	SD7K0210 52 Y	SD7K0180 72 Y	SD7K0130 62 Y	85,5
SD7K0250 22 Y	SD7K0250 52 Y	SD7K0205 72 Y	SD7K0150 62 Y	
SD7K0275 22 Y	SD7K0275 52 Y		SD7K0170 62 Y	



FRAME 2 - IP20				
INPUT VOLTAGE				WEIGHT (kg)
230Vca	380-500Vca	525Vca	690Vca	
SD7K0330 22 Y	SD7K0330 52 Y	SD7K0270 72 Y	SD7K0210 62 Y	159
SD7K0370 22 Y	SD7K0370 52 Y	SD7K0295 72 Y	SD7K0260 62 Y	
SD7K0460 22 Y	SD7K0460 52 Y	SD7K0340 72 Y	SD7K0320 62 Y	



FRAME 3 - IP20				
INPUT VOLTAGE				WEIGHT (kg)
230Vca	380-500Vca	525Vca	690Vca	
SD7K0580 22 Y	SD7K0580 52 Y	SD7K0425 72 Y	SD7K0385 62 Y	215,3
SD7K0650 22 Y	SD7K0650 52 Y	SD7K0470 72 Y	SD7K0460 62 Y	
SD7K0720 22 Y	SD7K0720 52 Y	SD7K0535 72 Y		



FRAME 4 - IP20				
INPUT VOLTAGE				WEIGHT (kg)
230Vca	380-500Vca	525Vca	690Vca	
	SD7K0840 52 Y	SD7K0660 72 Y	SD7K0550 62 Y	299,7
	SD7K0925 52 Y	SD7K0750 72 Y	SD7K0660 62 Y	
	SD7K0990 52 Y	SD7K0660 72 12 Y	SD7K0550 62 12 Y	
	SD7K0840 52 12 Y	SD7K0750 72 12 Y	SD7K0660 62 12 Y	
	SD7K0925 52 12 Y			
	SD7K0990 52 12 Y			

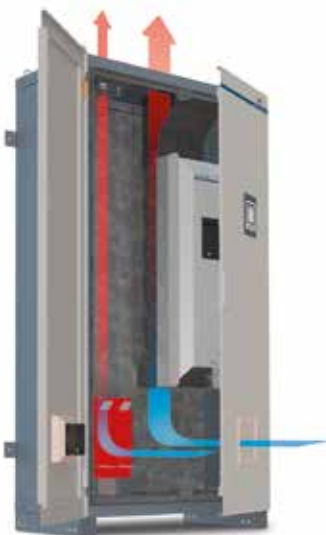
SD700 KOMPAKT

Input Inductances Standard Ratings

STANDARD RATINGS

INPUT VOLTAGE 230VAC					
DRIVE		INDUCTANCE			
FRAME	REFERENCE	REFERENCE	QUANTITY	I (A)	WEIGHT (kg)
1	SD7K0210 2X Y	P246B	1	250	33
	SD7K0250 2X Y				
	SD7K0275 2X Y	P256A	1	370	65
2	SD7K0330 2X Y	P256A	1	370	65
	SD7K0370 2X Y				
	SD7K0460 2X Y	P233A	1	500	53
3	SD7K0580 2X Y	P297A	2	2x290	2x48
	SD7K0650 2X Y				
	SD7K0720 2X Y	P298A	2	2x360	2x43

INPUT VOLTAGE 380VAC - 500VAC					
DRIVE		INDUCTANCE			
FRAME	REFERENCE	REFERENCE	QUANTITY	I (A)	WEIGHT (kg)
1	SD7K0210 5X Y	P246B	1	250	33
	SD7K0250 5X Y				
	SD7K0275 5X Y	P256A	1	370	65
2	SD7K0330 5X Y	P256A	1	370	65
	SD7K0370 5X Y				
	SD7K0460 5X Y	P233A	1	500	53
3	SD7K0580 5X Y	P297A	2	2x290	2x48
	SD7K0650 5X Y				
	SD7K0720 5X Y	P298A	2	2x360	2x43
4	SD7K0840 5X Y	P233A	2	2x500	2x53
	SD7K0925 5X Y				
	SD7K0990 5X Y				
	SD7K0840 5X 12 Y				
	SD7K0925 5X 12 Y				
	SD7K0990 5X 12 Y				



INPUT VOLTAGE 525VAC					
DRIVE		INDUCTANCE			
FRAME	REFERENCE	REFERENCE	QUANTITY	I (A)	WEIGHT (kg)
1	SD7K0180 7X Y	P317B	1	210	40
	SD7K0205 7X Y	P246B	1	250	33
2	SD7K0270 7X Y	P233A	1	500	53
	SD7K0295 7X Y				
3	SD7K0340 7X Y	P297A	2	2x290	2x48
	SD7K0425 7X Y				
4	SD7K0470 7X Y	P298A	2	2x360	2x43
	SD7K0535 7X Y				
	SD7K0660 7X Y				
	SD7K0750 7X Y				
	SD7K0660 7X 12 Y				
	SD7K0750 7X 12 Y				

SD700 KOMPAKT

Input Inductances Standard Ratings

STANDARD RATINGS

INPUT VOLTAGE 690VAC					
DRIVE		INDUCTANCE			
FRAME	REFERENCE	REFERENCE	QUANTITY	I (A)	WEIGHT (kg)
1	SD7K0130 6X Y	P316B	1	170	33
	SD7K0150 6X Y				
	SD7K0170 6X Y				
2	SD7K0210 6X Y	P317B	1	210	40
	SD7K0260 6X Y	P318A	1	330	62
	SD7K0320 6X Y				
3	SD7K0385 6X Y	P319B	2	2x230	2x42
	SD7K0460 6X Y				
4	SD7K0550 6X Y	P318A	2	2x330	2x62
	SD7K0660 6X Y				
	SD7K0550 6X 12 Y				
	SD7K0660 6X 12 Y				

DIMENSIONS & WEIGHT

INDUCTANCES DIMENSIONS AND WEIGHT					
REFERENCE	Wi (mm)	Di (mm)	Hi (mm)	WEIGHT (kg)	I (A)
P233A	300	255	350	53	500
P246B	300	170	350	33	250
P256A	300	245	355	65	370
P297A	300	210	360	48	290
P298A	300	200	360	43	360
P316B	300	170	350	33	170
P317B	300	200	360	40	210
P318A	300	245	355	62	330
P319B	300	200	360	42	230

