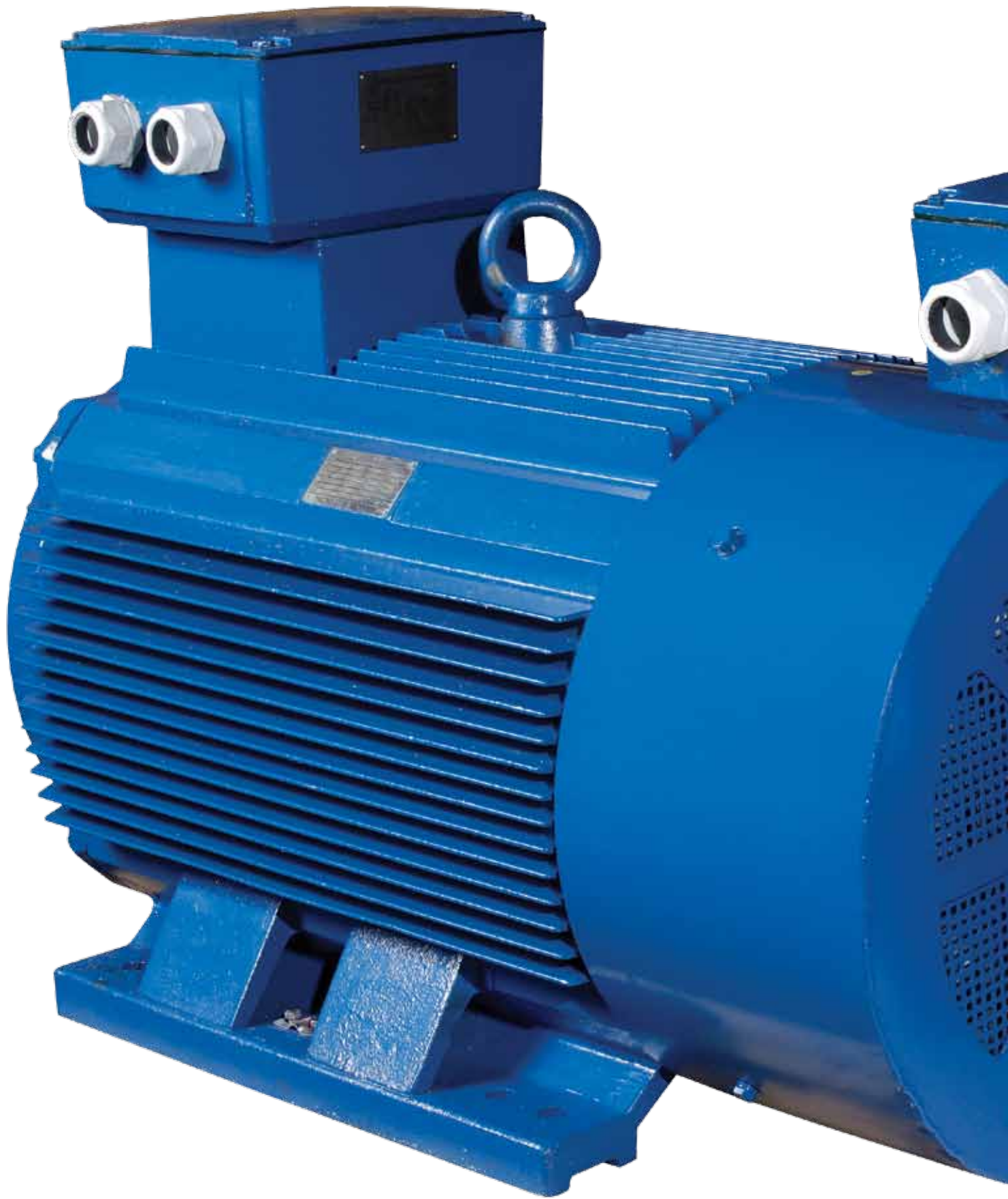


**KΔ series**



## **KΔ series**

Three-phase asynchronous motors  
with a wound rotor (H 132-450)



# KΔ series

Three-phase asynchronous motors with a wound rotor (H 132-450)

**4 POLES-1.500 Rpm**  
**380 V / 50Hz**  
**Insulation class F**

TYPE	Power (KW)	Electric Current (A)	Rotating Speed (r/min)	Efficiency (%)	Power Factor Cos φ	Max. Torque Rated Torque	Rotor		Noise dB (A)	Vibration (mm/s)	Rotating inertia (Kgm <sup>2</sup> )	Weight (Kg)
							Voltage (V)	Electric Current (A)				
132M1	4	9.4	1421	84.5	0.77	3.0	230	11.5	86	1.8	0.15	88
132M2	5.5	12.5	1434	86	0.77	3.0	272	13	86	1.8	0.17	96
160M	7.5	15.8	1444	87.5	0.83	3.0	250	19.5	90	2.8	0.23	108
160L	11	22.8	1426	89.5	0.83	3.0	276	25	90	2.8	0.27	115
180L	15	30.1	1434	89.5	0.85	3.0	278	34	94	2.8	0.39	205
200L1	18.5	35.9	1439	89.0	0.86	3.0	263.6	44	94	2.8	0.51	277
200L2	22	43.1	1448	90.0	0.86	3.0	293	47	94	2.8	0.54	290
225M2	30	57.6	1442	91.0	0.87	3.0	360	51.5	98	2.8	0.93	350
250M1	37	70.6	1448	91.5	0.86	3.0	289	79	98	3.5	1.29	480
250M2	45	85.9	1453	91.5	0.87	3.0	340	81	100	3.5	1.43	500
280S	55	103.8	1457	91.5	0.88	3.0	485	70	100	3.5	2.27	620
280M	75	135	1458	92.5	0.88	3.0	468	97.4	103	3.5	2.89	720
315S	90	162	1485	92.5	0.86	3.0	548	100	103	3.5	4.65	1060
315M1	110	201	1485	93.0	0.86	3.0	525	127	103	3.5	5.22	1080
315M2	132	240	1485	93.2	0.86	3.0	601	133	106	3.5	5.68	1125
315L	160	284	1486	93.2	0.86	3.0	722	134	106	3.5	6.47	1131
355M1	160	286	1483	93.3	0.87	3.0	352	277	106	3.5	11.54	1650
355M2	185	326	1483	93.5	0.87	3.0	385	293	106	3.5	12.58	1723
355L1	200	355	1486	94.0	0.87	3.3	422	288	106	3.5	13.04	1740
355L2	220	389	1486	94.0	0.87	3.3	483	277	106	3.5	14.20	1825
355L3	250	444	1487	94.0	0.87	3.5	528	287	108	3.5	15.13	1900
355L4	280	495	1488	94.0	0.87	3.5	604	281	108	3.5	16.98	2115
400M1	280	512	1488	94.2	0.86	3.5	545	311	108	3.5	21.51	2721
400M2	315	566	1489	94.2	0.86	3.5	595	320	108	3.5	23.54	2823
400M3	355	631	1489	94.5	0.87	3.5	674	318	108	3.5	26.07	2960
400M4	400	716	1489	94.5	0.87	3.5	778	311	108	3.5	28.35	3082
400L1	450	795	1490	94.8	0.89	2.5	847	320	108	3.5	33.01	3295
400L2	500	905	1490	94.8	0.89	2.5	977	308	108	3.5	35.60	3350
450 1	500	858	1492	95.2	0.89	2.8	722	412	108	3.5		
450 2	560	962	1493	95.3	0.89	2.8	867	384	111	3.5		
450 3	630	1076	1493	95.4	0.9	2.8	878	427	111	3.5		
450 4	710	1219	1494	95.5	0.9	2.8	1085	389	111	3.5		
450 5	800	1361	1493	95.6	0.9	2.8	1121	424	111	3.5		

# KΔ series

Three-phase asynchronous motors with a wound rotor (H 132-450)

**6 POLES-1.000 Rpm**  
380 V / 50Hz  
Insulation class F

TYPE	Power (KW)	Electric Current (A)	Rotating Speed (r/min)	Efficiency (%)	Power Factor Cos φ	Max. Torque Rated Torque	Rotor		Noise dB (A)	Vibration (mm/s)	Rotating inertia (kgm <sup>2</sup> )	Weight (kg)
							Voltage (V)	Electric Current (A)				
132M1	3	8	949	80.5	0.69	2.8	206	9.5	82	1.8	0.20	89
132M2	4	10.7	949	82.0	0.69	2.8	230	11	82	1.8	0.21	97
160M	5.5	13.2	940	84.5	0.74	2.8	244	14.5	82	2.8	0.28	145
160L	7.5	17.8	947	86.0	0.74	2.8	266	18	85	2.8	0.32	153
180L	11	23.6	949	87.5	0.81	2.8	310	22.5	85	2.8	0.46	203
200L1	15	31.8	955	88.5	0.81	2.8	198	48	88	2.8	0.67	280
200L2	18.5	38.3	955	88.5	0.83	2.8	187	62.5	88	2.8	0.92	330
225M2	22	45	964	89.5	0.83	2.8	224	61	88	2.8	1.03	350
250M1	30	60.3	966	90.0	0.84	2.8	282	66	91	3.5	1.80	480
250M2	37	73.9	967	90.5	0.84	2.8	331	69	91	3.5	1.95	510
280S	45	87.9	969	91.5	0.85	2.8	362	76	94	3.5	3.06	620
280M	55	106.9	972	92.0	0.85	2.8	423	80	94	3.5	3.40	670
315S	75	142	989	93.0	0.85	2.8	419	108	98	3.5	7.47	930
315M1	90	171	991	93.5	0.85	2.8	516	105	98	3.5	8.70	1050
315M2	110	207	991	93.5	0.85	2.8	611	108	98	3.5	9.86	1205
315L	132	246	993	93.5	0.85	2.8	604	131	102	3.5	10.80	1414
355M1	132	246	988	92.8	0.86	2.5	301	269	102	3.5	14.54	1630
355M2	160	292	988	93	0.86	2.5	349	280	102	3.5	15.73	1703
355L1	185	336	990	93.3	0.86	2.5	402	280	102	3.5	17.52	1825
355L2	200	370	990	93.5	0.86	2.8	442	276	102	3.5	19.31	1923
355L3	220	404	991	93.6	0.86	2.8	474	283	102	3.5	20.50	1990
355L4	250	459	991	93.8	0.86	3.0	553	273	105	3.5	22.89	2110
400M1	250	447	991	94.8	0.85	3.0	545	274	105	3.5	30.76	2698
400M2	280	495	991	94.8	0.86	3.0	578	290	105	3.5	32.75	2775
400M3	315	557	992	95.0	0.86	3.0	655	287	105	3.5	36.07	2889
400M4	355	629	992	95.0	0.86	3.0	736	288	105	3.5	39.38	3012
400L1	400	707	993	95.2	0.86	2.8	870	274	105	3.5	46.18	3261
400L2	450	788	993	95.2	0.86	2.8	958	280	105	3.5	51.49	3429
400L3	500	880	993	95.2	0.87	2.8	1064	279	105	3.5	53.26	3461
450 1	500	879	994	95.3	0.87	2.8	972	306	105	3.5		
450 2	560	982	994	95.4	0.87	2.8	1080	308	108	3.5		
450 3	630	1101	994	95.5	0.87	2.8	1216	308	105	3.5		
450 4	710	1243	994	95.6	0.87	2.8	1390	303	108	3.5		

# KΔ series

Three-phase asynchronous motors with a wound rotor (H 132-450)

**8 POLES-750 Rpm**  
**380 V / 50Hz**  
**Insulation class F**

TYPE	Power (KW)	Electric Current (A)	Rotating Speed (r/min)	Efficiency (%)	Power Factor Cos φ	Max. Torque Rated Torque	Rotor		Noise dB (A)	Vibration (mm/s)	Rotating inertia (Kgm <sup>2</sup> )	Weight (Kg)
							Voltage (V)	Electric Current (A)				
160M	4	10.5	703	82.5	0.69	2.4	216	12	78	2.8	0.27	140
160L	5.5	14.1	705	83.0	0.71	2.4	230	15.5	78	2.8	0.31	155
180L	7.5	18.5	692	85.0	0.73	2.4	255	19	82	2.8	0.44	195
200L1	11	26.6	699	86.0	0.73	2.4	152	46	82	2.8	0.66	279
225M1	15	34.5	706	88.0	0.75	2.4	169	56	86	2.8	1.01	330
225M2	18.5	42.1	712	89.0	0.75	2.4	211	54	86	2.8	1.17	360
250M1	22	48.1	710	89.0	0.78	2.4	210	65.5	86	3.5	1.77	480
250M2	30	65.3	713	89.5	0.77	2.4	256	73	90	3.5	2.02	510
280S	37	79	715	91.0	0.79	2.4	281	81.5	90	3.5	2.97	640
280M	45	92.9	725	92.0	0.80	2.4	359	76	93	3.5	3.73	720
315S	55	113	740	92.2	0.79	2.4	339	98	93	3.5	7.47	970
315M1	75	150	741	92.5	0.79	2.4	432	105	96	3.5	9.06	1010
315M2	90	182	742	92.6	0.79	2.4	528	102	96	3.5	10.39	1060
315L	110	220	743	92.6	0.79	2.4	635	104	96	3.5	10.10	1352
355M1	110	218	740	92.0	0.79	2.4	281	239	96	3.5	15.01	1485
355M2	132	262	741	92.4	0.79	2.5	330	244	99	3.5	16.72	1565
355L1	160	316	742	92.5	0.79	2.5	400	244	99	3.5	19.53	1640
355L2	185	356	742	92.6	0.79	2.6	448	252	99	3.5	22.34	1703
355L3	200	392	743	93.0	0.79	2.6	475	256	99	3.5	23.59	1731
355L4	220	436	743	93.0	0.79	2.6	543	246	99	3.5	26.40	1792
400M1	220	428	742	94.2	0.77	2.8	422	313	99	3.5	33.92	2785
400M2	250	485	743	94.2	0.77	2.8	475	315	102	3.5	37.91	2929
400M3	280	548	743	94.2	0.77	2.8	542	308	102	3.5	41.92	3061
400L1	315	623	744	94.5	0.77	2.8	633	297	102	3.5	45.24	3194
400L2	355	694	744	94.5	0.78	2.8	691	306	102	3.5	49.23	3343
400L3	400	775	744	94.5	0.78	2.8	760	313	102	3.5	53.88	3513
450 1	400	776	745	94.6	0.79	2.8	704	337	102	3.5		
450 2	450	863	745	94.7	0.79	2.8	775	345	102	3.5		
450 3	500	958	745	94.8	0.79	2.8	861	344	102	3.5		
450 4	560	1072	745	95.0	0.79	2.8	969	342	102	3.5		

# KΔ series

Three-phase asynchronous motors with a wound rotor (H 132-450)

**10 POLES-600 Rpm**

380 V / 50Hz

Insulation class F

TYPE	Power (KW)	Electric Current (A)	Rotating Speed (r/min)	Efficiency (%)	Power Factor Cos φ	Max. Torque Rated Torque	Rotor		Noise dB (A)	Vibration (mm/s)	Rotating inertia (Kgm <sup>2</sup> )	Weight (Kg)
							Voltage (V)	Electric Current (A)				
315S	45	97	593	92.0	0.73	2.4	334	81	93	3.5	6.42	1025
315M1	55	119	593	92.3	0.73	2.4	409	81	93	3.5	7.13	1086
315M2	75	137	594	92.5	0.73	2.4	566	79	96	3.5	9.09	1222
315L	90	193	594	92.5	0.73	2.4	672	80	96	3.5	9.98	1304
355M1	90	192	592	92.5	0.73	2.5	261	209	96	3.5	15.22	1389
355M2	110	235	593	92.6	0.73	2.5	326	204	96	3.5	18.03	1545
355L1	132	282	593	92.8	0.73	2.6	372	214	99	3.5	21.15	1711
355L2	160	339	594	93.0	0.73	2.6	434	222	99	3.5	23.96	1873
400M1	185	382	594	93.5	0.75	2.8	401	276	99	3.5	38.58	2829
400M2	200	412	594	93.5	0.75	2.8	435	275	99	3.5	41.56	2924
400M3	220	450	594	93.5	0.75	2.8	474	277	99	3.5	45.28	3044
400L1	250	513	595	94.0	0.75	2.8	547	273	102	3.5	51.24	3230
400L2	280	573	595	94.0	0.75	2.8	608	275	102	3.5	56.44	3402
400L3	315	647	595	94.0	0.75	2.8	684	274	102	3.5	62.40	3594
450 1	355	712	596	94.5	0.76	2.6	670	314	102	3.5		
450 2	400	796	596	94.6	0.77	2.6	766	310	102	3.5		
450 3	450	882	596	94.7	0.77	2.6	803	333	102	3.5		
450 4	500	980	596	94.8	0.78	2.6	894	332	102	3.5		

**12 POLES-500 Rpm**

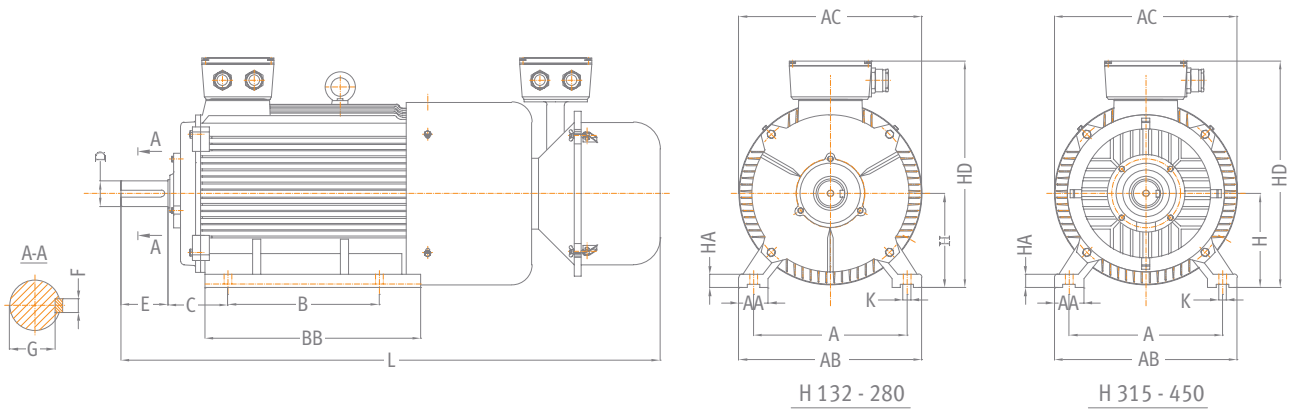
380 V / 50Hz

Insulation class F

TYPE	Power (KW)	Electric Current (A)	Rotating Speed (r/min)	Efficiency (%)	Power Factor Cos φ	Max. Torque Rated Torque	Rotor		Noise dB (A)	Vibration (mm/s)	Rotating inertia (Kgm <sup>2</sup> )	Weight (Kg)
							Voltage (V)	Electric Current (A)				
355M 1	55	125	493	92.0	0.71	2.4	217	153	95	3.5	14.16	1390
355M 2	75	168	494	92.5	0.71	2.4	284	158	95	3.5	17.14	1530
355L 2	90	201	494	92.5	0.71	2.4	335	160	95	3.5	19.59	1750
355L 3	110	244	494	92.5	0.71	2.4	410	160	95	3.5	23.44	1890
355L 4	132	294	495	92.8	0.71	2.4	461	170	95	3.5	26.24	2010
400M1	132	284	494	93.2	0.72	2.5	407	193	99	3.5	35.95	2716
400M2	160	345	494	93.2	0.72	2.5	498	191	99	3.5	42.65	2917
400M3	185	396	495	93.5	0.72	2.5	561	196	99	3.5	47.11	3055
400L1	200	414	494	93.5	0.73	2.5	587	203	99	3.5	51.58	3201
400L2	220	467	495	93.5	0.73	2.5	670	195	99	3.5	56.05	3340
400L3	250	528	495	93.5	0.73	2.5	749	198	102	3.5	62.00	3533
450 1	250	519	496	93.6	0.74	2.0	594	249	102	3.5		
450 2	280	582	496	93.7	0.74	2.0	679	244	102	3.5		
450 3	315	653	496	93.8	0.74	2.2	794	235	102	3.5		
450 4	355	738	496	94.0	0.74	2.2	912	230	102	3.5		
450 5	400	819	496	94.2	0.75	2.1	953	248	102	3.5		

# KΔ-series

## Dimension sheet



### MOUNTING B3

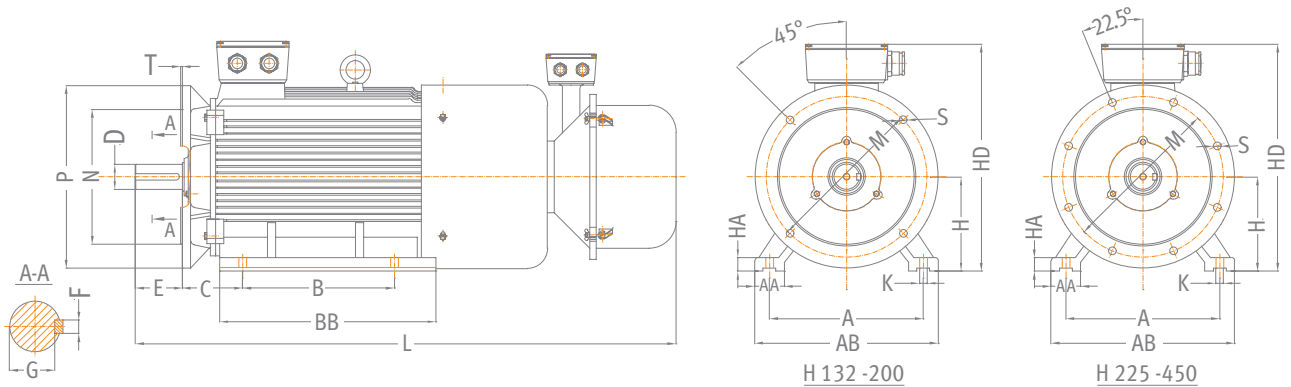
#### SIZE 132 - 450

TYPE	A	B	C	D	E	F	G	H	K	AA	AB	AC	HD	HA	BB	L
KΔ 132M	216	178	89 ± 2	38	80	10	33	132	12	55	280	275	360	18	224	745
KΔ 160M	254	210	108 ± 3	42	110	12	37	160	15	65	320	330	428	20	260	820
KΔ 160L		254													304	865
KΔ 180L	279	279	121 ± 3	48	110	14	42.5	180	15	70	355	380	470	22	355	930
KΔ 200L	318	305	133 ± 3	55	110	16	49	200	19	70	395	420	530	25	375	1030
KΔ 225M	356	311	149 ± 4	60	140	18	53	225	19	75	435	470	585	28	400	1100
KΔ 250M	406	349	168 ± 4	65	140	18	58	250	24	80	490	510	640	30	450	1250
KΔ280S	457	368	190 ± 4	75	140	20	67.5	280	24	85	550	580	680	40	540	1300
KΔ 280M		419														1350
KΔ 315S	508	406	216 ± 4	80	170	22	71	315	28	120	635	645	845	45	680	1610
KΔ 315M		457														1720
KΔ315L		508														1785
KΔ 355M	610	560	254 ± 4	95	170	25	86	355	28	116	730	710	1010	52	750	1860
KΔ 355L		630														
KΔ400M	686	630	280 ± 4	110	210	28	100	400	35	120	806	856	1080	45	1090	2420
KΔ400L		710		120		32	109									
KΔ450	800	1000	280 ± 4	130	250	32	119	450	42	190	990	1016	1409	40	1300	2900



# KΔ-series

## Dimension sheet



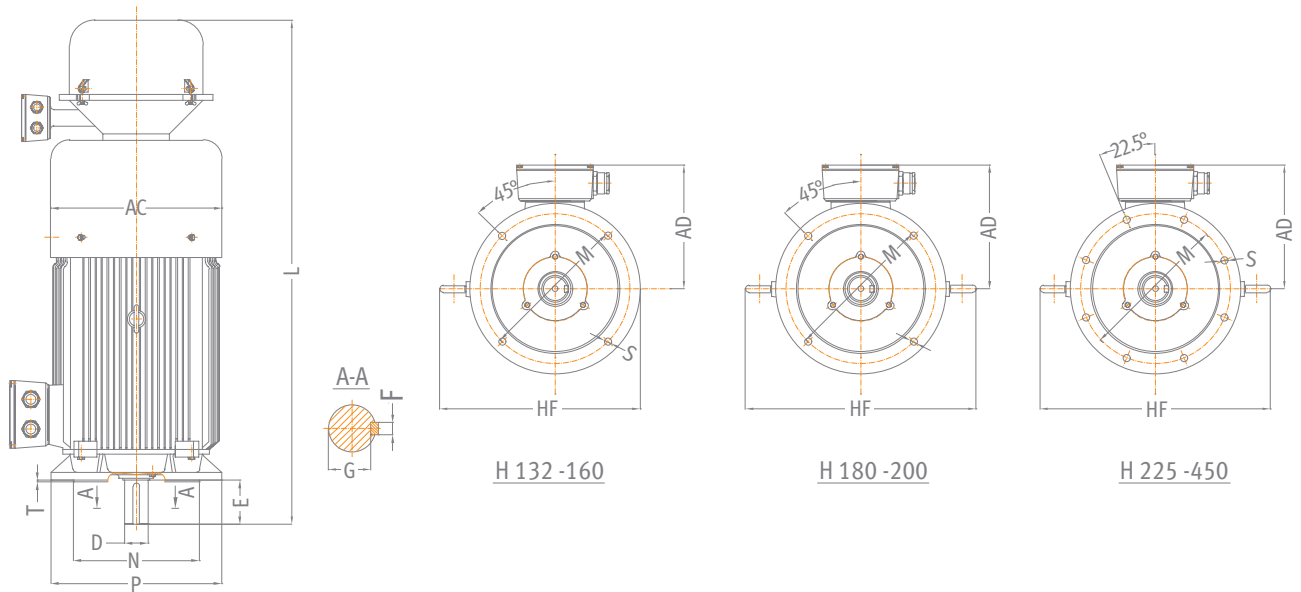
### MOUNTING B35

SIZE 132 - 450

TYPE	A	B	C	D	E	F	G	H	K	M	N	P	S	T	AA	AB	AC	HD	HA	BB	L
KΔ 132M	216	178	89	38	80	10	33	132	12	265	230	300	15	4	55	270	275	360	18	224	745
KΔ 160M	254	210	108	42	110	12	37	160	15	300	250	350	19	5	65	320	330	428	20	260	820
KΔ 160L		254																		304	865
KΔ 180L	279	279	121	48	110	14	42.5	180	15	300	250	350	19	5	70	355	380	470	22	355	930
KΔ 200L	318	305	133	55	110	16	49	200	19	350	300	400	19	5	70	395	420	530	25	375	1030
KΔ 225M	356	311	149	60	140	18	53	225	19	400	350	450	19	5	75	435	470	585	28	400	1100
KΔ 250M	406	349	168	65	140	18	58	250	24	500	450	550	19	5	80	490	510	640	30	450	1250
KΔ280S	457	368	190	75	140	20	67.5	280	24	500	450	550	19	5	85	550	580	700	40	485	1300
KΔ 280M		419																		536	1350
KΔ 315S	508	406	216	80	170	22	71	315	28	600	550	660	24	6	120	635	645	845	45	680	1610
KΔ 315M		457																			1720
KΔ315L		508																			1785
KΔ 355M	610	560	254	95	170	25	86	355	28	740	680	800	24	6	116	730	710	1010	52	750	1860
KΔ 355L		630																			
KΔ 400M	686	630	280	120	210	28	100	400	35	940	880	1000	28	6	120	806	856	1080	45	1090	2420
KΔ 400L		710				32	109														
KΔ 450	800	1000	280	130	250	32	119	450	42	1080	1000	1150	28	6	190	990	1060	1409	40	1300	2900

# KΔ-series

## Dimension sheet



### MOUNTING V1

SIZE 132 - 450

TYPE	D	E	F	G	K	M	N	P	S	T	AC	AD	HF	L
KΔ 132M	38	80	10	33	12	265	230	300	15	4	275	227	315	745
KΔ 160M	42	110	12	37	15	300	250	350	19	5	330	268	385	820
KΔ 160L														865
KΔ 180L	48	110	14	42.5	15	300	250	350	19	5	380	290	430	930
KΔ 200L	55	110	16	49	19	350	300	400	19	5	420	330	550	1030
KΔ 225M	60	140	18	53	19	400	350	450	19	5	470	352	610	1100
KΔ 250M	65	140	18	58	24	500	450	550	19	5	510	388	650	1250
KΔ280S	75	140	20	67.5	24	500	450	550	19	5	580	410	720	1300
KΔ 280M														1350
KΔ 315S	80	170	22	71	28	600	550	660	24	6	645	530	910	1610
KΔ 315M														1720
KΔ315L														1785
KΔ 355M	95	170	25	86	28	740	680	800	24	6	710	655	1010	1860
KΔ 355L														
KΔ 400M	120	210	28	100	35	940	880	1000	28	6	856	680	1410	2420
KΔ 400L			32	109										
KΔ 450	130	250	32	119	42	1080	1000	1150	28	6	1060	959	1550	2900



**VALIADIS**  
Hellenic Motors