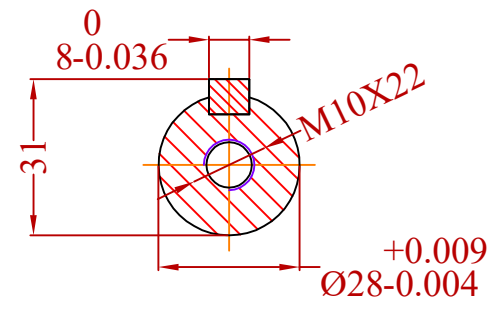
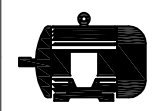


A-A
2:1



| | | | | |
|--------|------|------|----------------------|----------------|
| | | | Date | Signature |
| | | | Designed by 16/01/18 | St.Karageorgis |
| | | | Checked by | |
| | | | Examine by | |
| | | | SCALE | |
| | | | 1:3 | |
| | | | | |
| | | | | |
| | | | | |
| Change | Date | Name | | |



VALIADIS
HELLENIC MOTORS

Motor Type :AK112M
Mounting :B3

Design Number :
MTAK-180116-1

Replaced from

Replace the