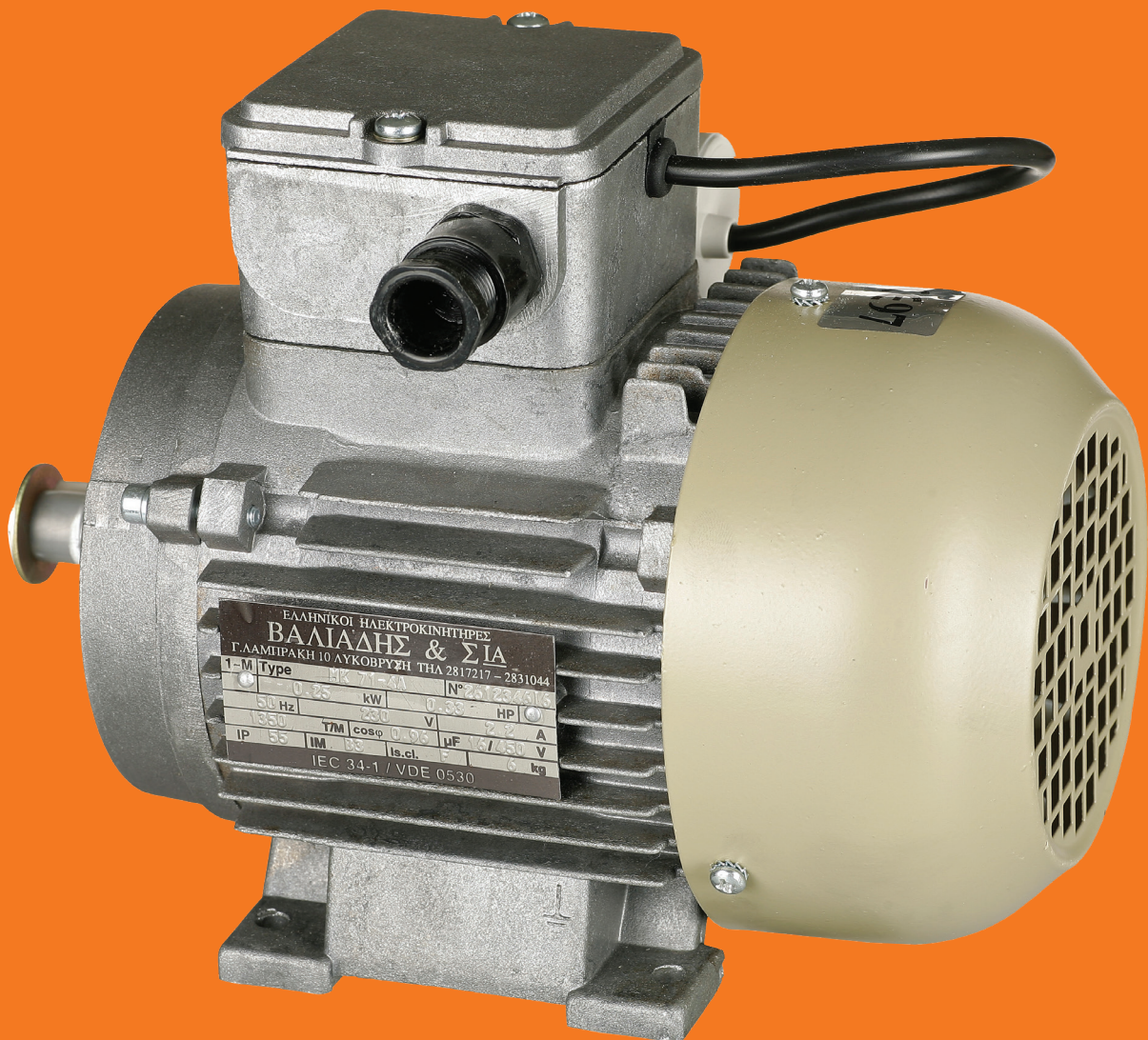
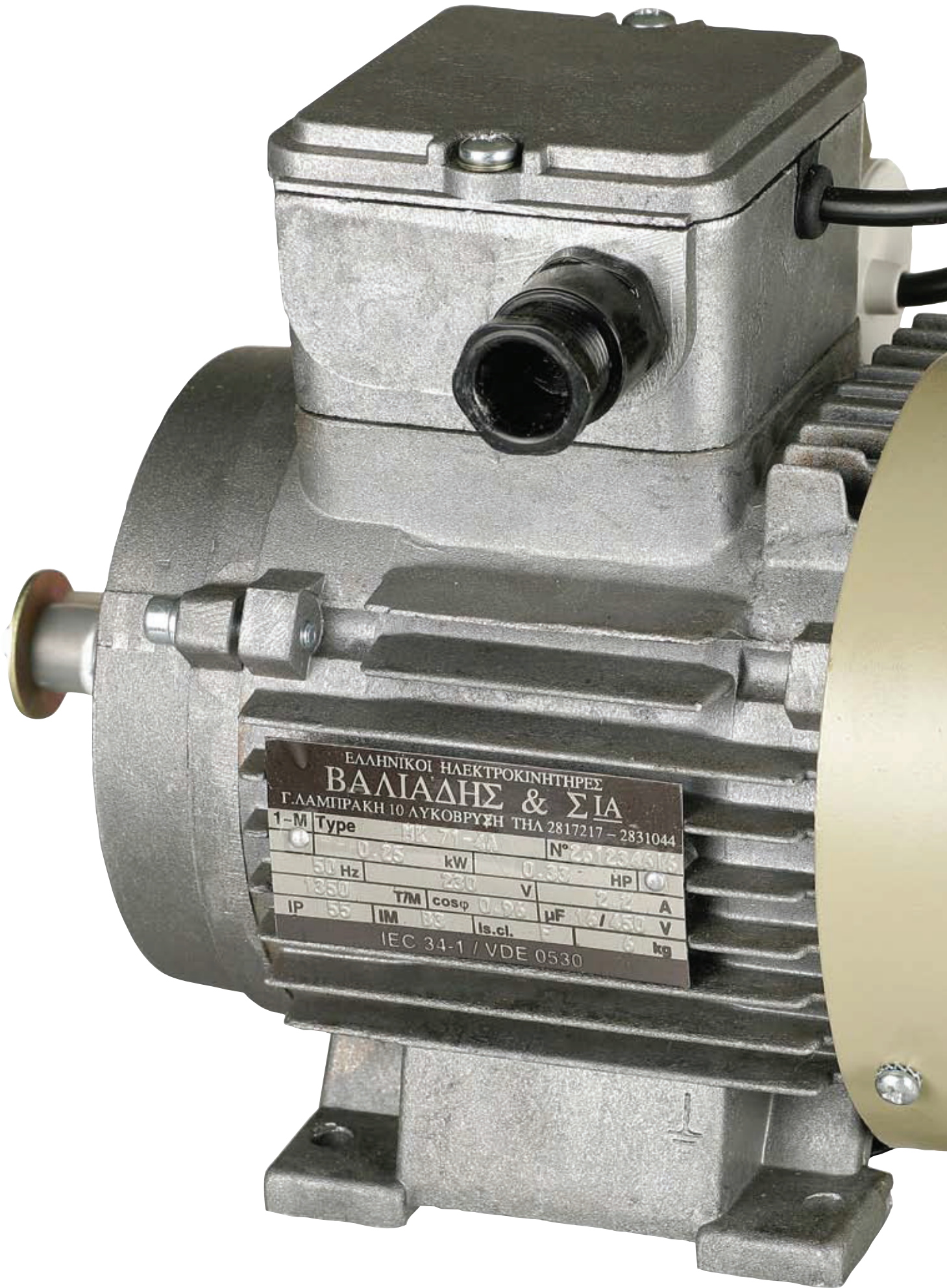




VALIADIS
HELLENIC MOTORS

MK series





ΕΛΛΗΝΙΚΟΙ ΗΛΕΚΤΡΟΚΙΝΗΤΗΡΕΣ
ΒΑΛΙΑΔΗΣ & ΣΙΑ
Γ. ΛΑΜΠΡΑΚΗ 10 ΛΥΚΟΒΡΥΧΗ ΤΗΛ 2817217 - 2831044

1-M	Type	IK 71-4A	N° 251234513
		0.25 kW	0.33 HP
50 Hz		230 V	2.2 A
1350	T/M	cosφ 0.95	μF 16/450 V
IP 55	IM B3	Is.cl.	6 kg
IEC 34-1 / VDE 0530			



MK-series

Technical description

IEC 71-100

220-230 V

50 Hz

Applications

- Fans
- Pumps
- Food industry

Standard features

- Industrial single phase series of aluminium housing motors
- Permanent capacitor run
- IP55 protection degree
- Insulation class F, temperature rise 80°C
- Terminal box rotation at 180°
- SKF or NSK bearings
- Not painted, pure aluminium appearance

Optional features

- Electronic capacitor for high starting torque
- Special voltage / frequency
- 110V/50Hz
- Brake kits for all motors
- Cable and switch disposition

MK-series

Single-phase induction motors with permanent capacitor

Single – phase motors are available in five sizes (from MK 71 to MK100 L).

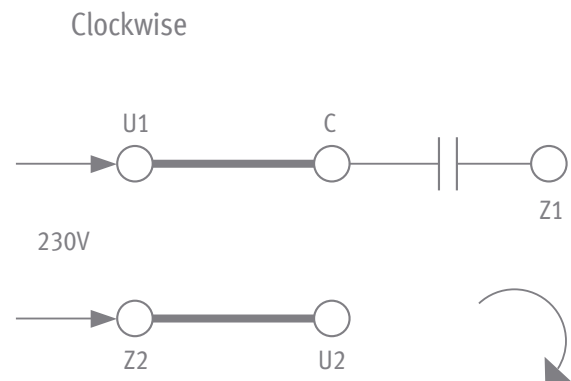
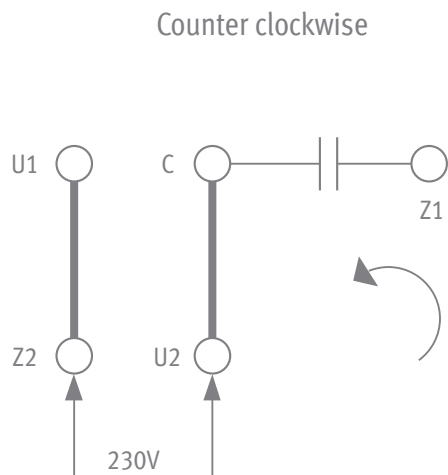
Their protection degree is IP 55 and their insulation class is F. The power varies between 0.33 HP to 3 HP at 1500 RPM and between 0.5 HP to 4 HP at 3000 RPM.

Type of construction is B3, B5, B3/B5, B14, B34.

Conditions of operation:

- Temperature should vary between -5°C to 30°C .
- Maximum altitude is 1000m above the sea surface.
- Relative humidity should not surpass 65 15% at 20°C .

Direction of rotation and connection are referred to in the following figures:



More details about single - phase motors are referred to in the next pages, as well as technical characteristics and dimension drawings.

MK-series

Single-phase induction motors with permanent capacitor

2 POLES - 3.000 Rpm
Degree of protection IP55
230V, 50Hz
Insulation class F

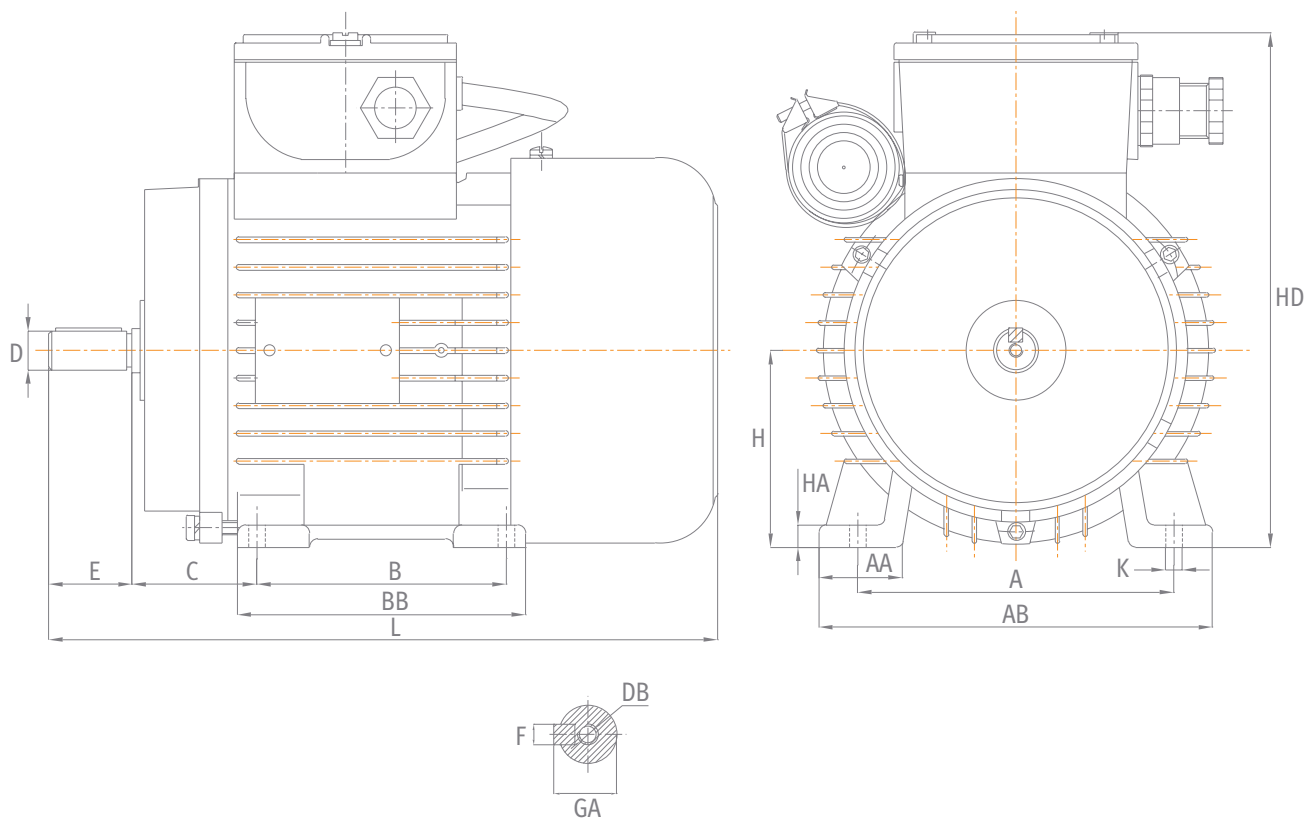
TYPE	Rated output		Rated speed	Efficiency	Power factor	Rated current	Rated torque	Moment of Inertia	Break away starting current	Break away Torque	Break-down Torque	Capacitor	Net weight
	kW	HP											
MK 71-2	0.37	0.5	2700	60	0.85	3.3	1.3	0.0016	4.2	0.6	2.3	16/450	7.5
MK 71-2	0.55	0.75	2700	66	0.9	4.2	1.9	0.0017	4.4	0.6	2.5	25/450	8.5
MK 80-2	0.75	1	2750	57	0.86	6.9	2.5	0.0021	3.5	0.7	1.9	35/400	13
MK 80-2	1.1	1.5	2800	64	0.91	8.5	3.7	0.0024	3.3	0.7	1.9	45/400	14.5
MK90S-2	1.5	2	2800	68	0.95	10.5	5	0.0027	4.3	0.8	1.8	60/450	18.2
MK90L-2	2.2	3	2850	72	0.94	14.3	7.4	0.003	4.5	0.6	2	80/450	21.7
MK100L-2	3	4	2750	72	0.95	19	10.4	0.0050	4.5	0.7	2	90/450	31.5

4 POLES - 1.500 Rpm
Degree of protection IP55
230V, 50Hz
Insulation class F

TYPE	Rated output		Rated speed	Efficiency	Power factor	Rated current	Rated torque	Moment of Inertia	Break away starting current	Break away Torque	Break-down Torque	Capacitor	Net weight
	kW	HP											
MK 71-4	0.25	0.33	1350	51	0.96	2.3	1.8	0.0018	2.2	0.8	1.5	16/450	6.7
MK 71-4	0.37	0.5	1350	58	0.93	3	2.5	0.002	2.7	0.7	1.5	20/450	7.9
MK 80-4	0.55	0.75	1350	52	0.81	5.7	3.7	0.0021	2.6	0.7	1.7	25/450	12.9
MK 80-4	0.75	1	1350	60	0.91	6.2	5.1	0.0023	2.7	0.7	1.6	30/450	14
MK 90S-4	1.1	1.5	1390	63	0.94	8.2	7.5	0.0038	2.8	0.6	1.6	35/450	18.1
MK 90L-4	1.5	2	1390	64	0.85	11	10	0.0043	3.2	0.6	1.5	45/450	22
MK 100L-4	2.2	3	1425	67	0.9	16	15	0.0053	4.6	0.6	2.1	90/450	31.5

MK-series

Dimension sheet



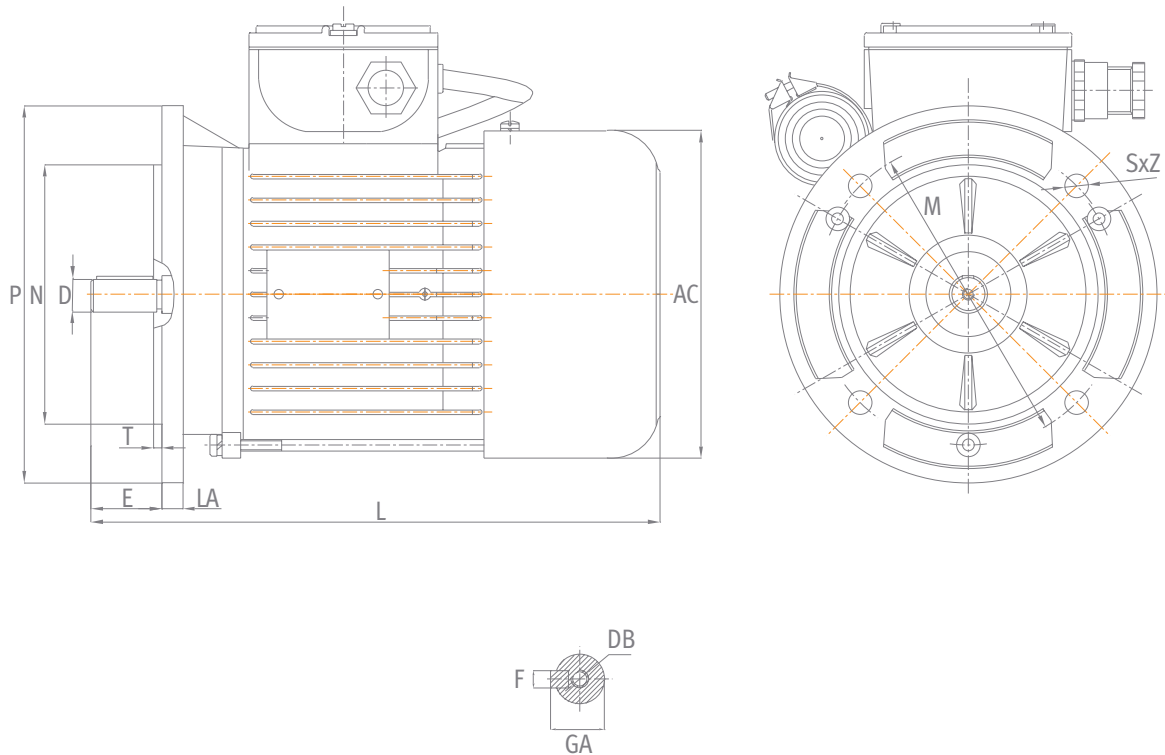
MOUNTING B3

SIZE 71-100

TYPE	H	A	B	C	AA	AB	BB	HD	HA	K	D	E	F	GA	DB	L
MK71	71	112	90	45	30	142	104	186	8	M6	14	30	5	16,1	M4	243
MK80	80	125	100	50	32	151	132	199	10	M10	19	40	6	21,5	M5	282
MK90S	90	140	100	56	35	166	135	220	10	M10	24	50	8	27	M8	315
MK90L			125				158									335
MK100L	100	160	140	63	40	190	182	239	12	M12	28	60	8	31	M8	368

MK-series

Dimension sheet



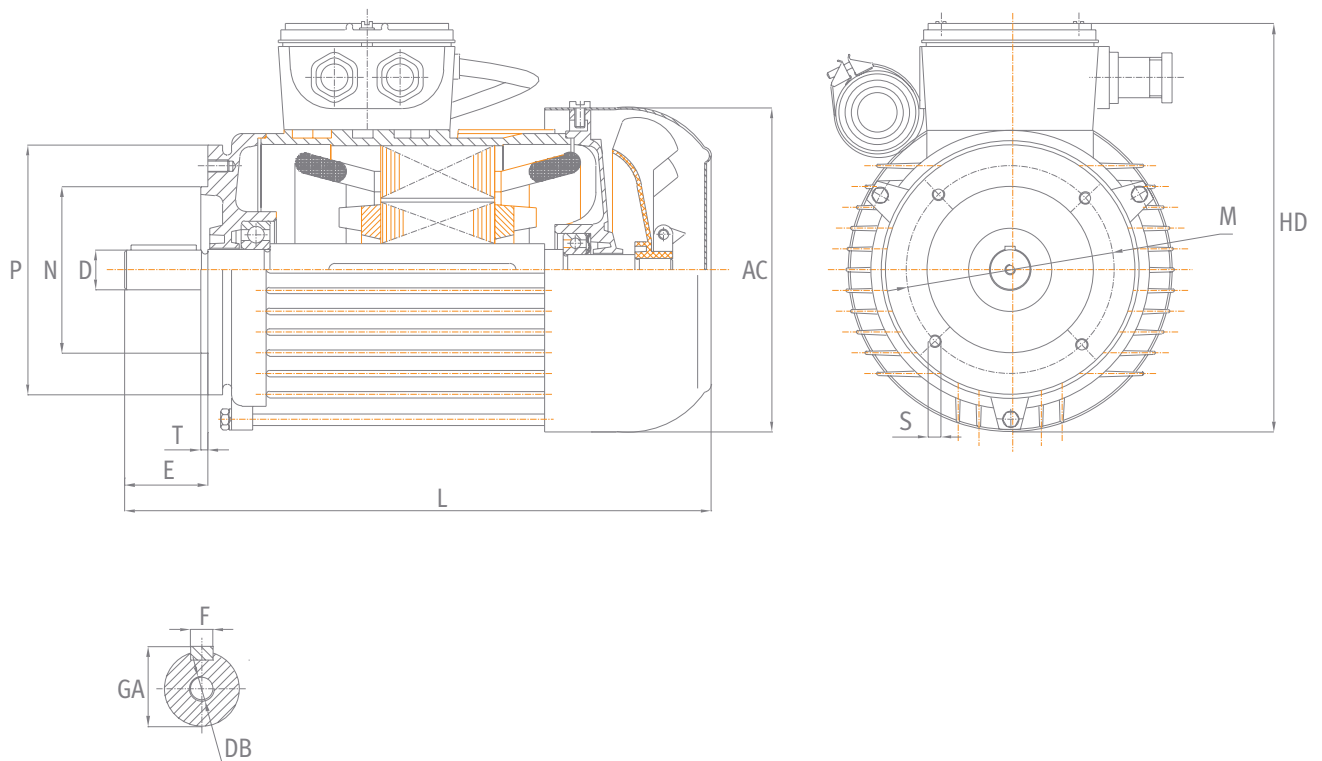
MOUNTING B5

SIZE 71-100

TYPE	P	N	M	T	LA	S	Z	AC	D	E	F	GA	DB	L
MK71	160	110	130	3,5	9	10	4	140	14	30	5	16,1	M4	243
MK80	200	130	165	3,5	10	12	4	156	19	40	6	21,5	M5	282
MK90S	200	130	165	3,5	10	12	4	170	24	50	8	27	M8	315
MK90L														335
MK100L	250	180	215	4	11	15	4	195	28	60	8	31	M8	368

MK-series

Dimension sheet



MOUNTING B14

SIZE 71-100

TYPE	P	N	M	T	S	Z	AC	D	E	F	GA	DB	L
MK71	105	70	85	2,5	M6	4	140	14	30	5	16,1	M4	243
MK80	120	80	100	3,0	M6	4	156	19	40	6	21,5	M5	282
MK90S	140	95	115	3,0	M8	4	170	24	50	8	27	M8	315
MK90L													335
MK100L	160	110	130	3,5	M8	4	195	28	60	8	31	M8	368



ATHENS: 18, Gr. Lambraki Str., 141 23 Likovrisi – tel: +30 2102817217, fax : +30 2102814277

THESSALONIKI: Industrial Area of Sindos., O.T. 48B, 15th Str., 570 22

tel: +30 2310796646 – fax: +30 2310796645

e-mail: valiadis@valiadis.gr – <https://www.valiadis.gr>

ROMANIA: 1, Aleea Meseriasilor, Bloc C93, Etaj 2, Ap. 16, Sector 6, 061647-Bucharest

tel: +40 214135902 – e-mail: romania@valiadis.gr – <https://www.ac-motors.eu>